



acrobird[™]

... for the love of birds

Mini "T" with Base

Congratulations!

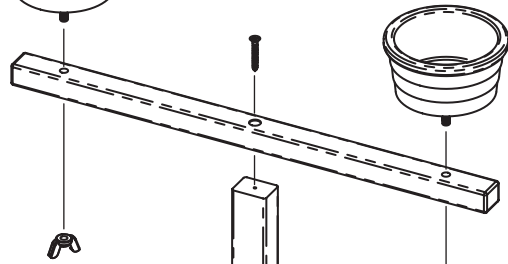
You have purchased the finest quality bird toy! The Acrobird line is constructed from selected hardwoods and carefully constructed to ensure ease of assembly and long life.

Before starting you will need:

1. Phillips Head Screwdriver
2. 7/16" Wrench
3. Cake of soap or Paraffin Wax (to coat screws before inserting)



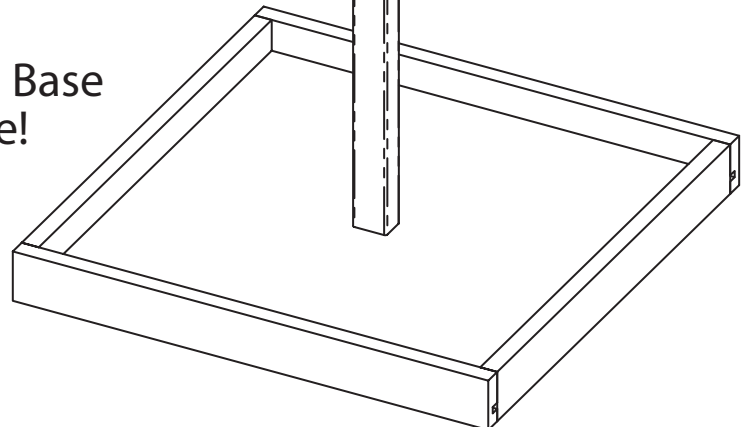
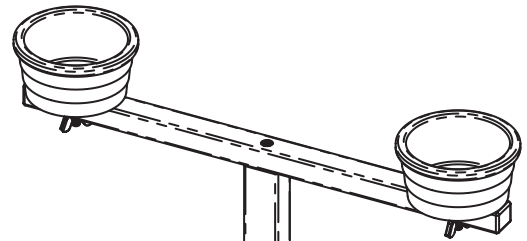
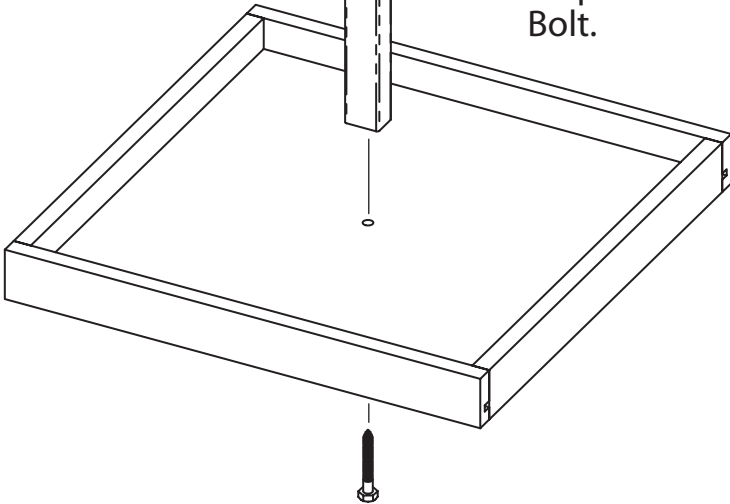
Step 2: Fasten Top Perch to the Vertical Post using one Screw.



Step 3: Fasten Feed Cups to the Top Perch using Wing Nuts.



Step 1: Fasten Vertical Post to Base using Hex Bolt.



Your new Acrobird Mini "T" with Base is now ready for fun and exercise!

Acrobird

2900 Indiana St., Baltimore, Md 21230
Tel: 1 888 338 2473 Fax: 410 752 9143
www.acrobird.net
www.caitec.com
www.featherlandproduct.com