



acrobird™

... for the love of birds

Toddler Pyramid

Congratulations!

You have purchased the finest quality bird toy! The Acrobird line is constructed from selected hardwoods and carefully constructed to ensure ease of assembly and long life.

Before starting you will need:

1. Phillips Head Screwdriver, Pliers, hammer.
2. Cake of soap or Paraffin Wax (to coat screws before inserting)

DO NOT final tighten screws until all screws are in place. After all screws are properly located, remember to tighten them for safety.

ATTENTION: To insure the safety of your Birds, PLEASE make sure all eye hooks and "S" hooks are securely closed before and after assembly.

Step 6: Attach (2) Cups to Top Perch using Wing Nuts.

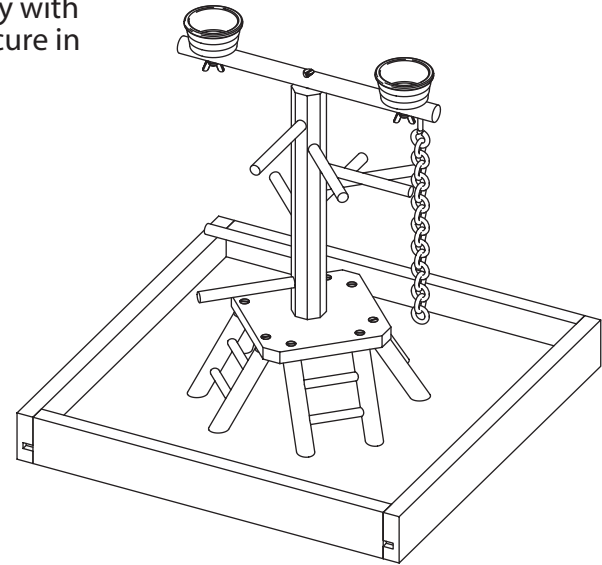
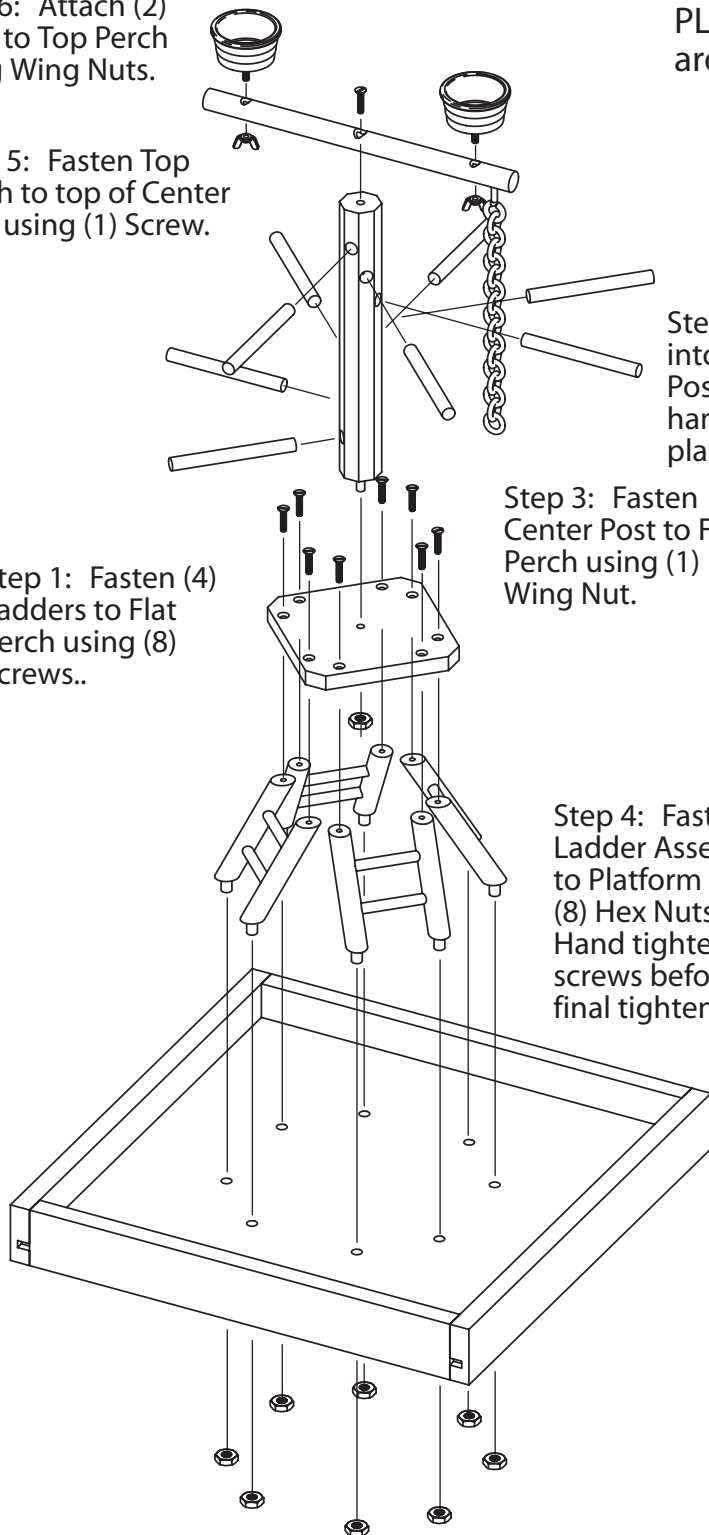
Step 5: Fasten Top Perch to top of Center Post using (1) Screw.

Step 1: Fasten (4) Ladders to Flat Perch using (8) Screws..

Step 3: Fasten Center Post to Flat Perch using (1) Wing Nut.

Step 4: Fasten Ladder Assembly to Platform using (8) Hex Nuts. Hand tighten all screws before final tightening.

Step 2: Insert Perches into holes on Center Post. Tap lightly with hammer to secure in place.



Your new Acrobird Toddler Pyramid is now ready for fun and exercise!

Acrobird

2900 Indiana St., Baltimore, Md 21230
Tel: 1 888 338 2473 Fax: 410 752 9143
www.acrobird.net
www.caitec.com
www.featherlandproduct.com